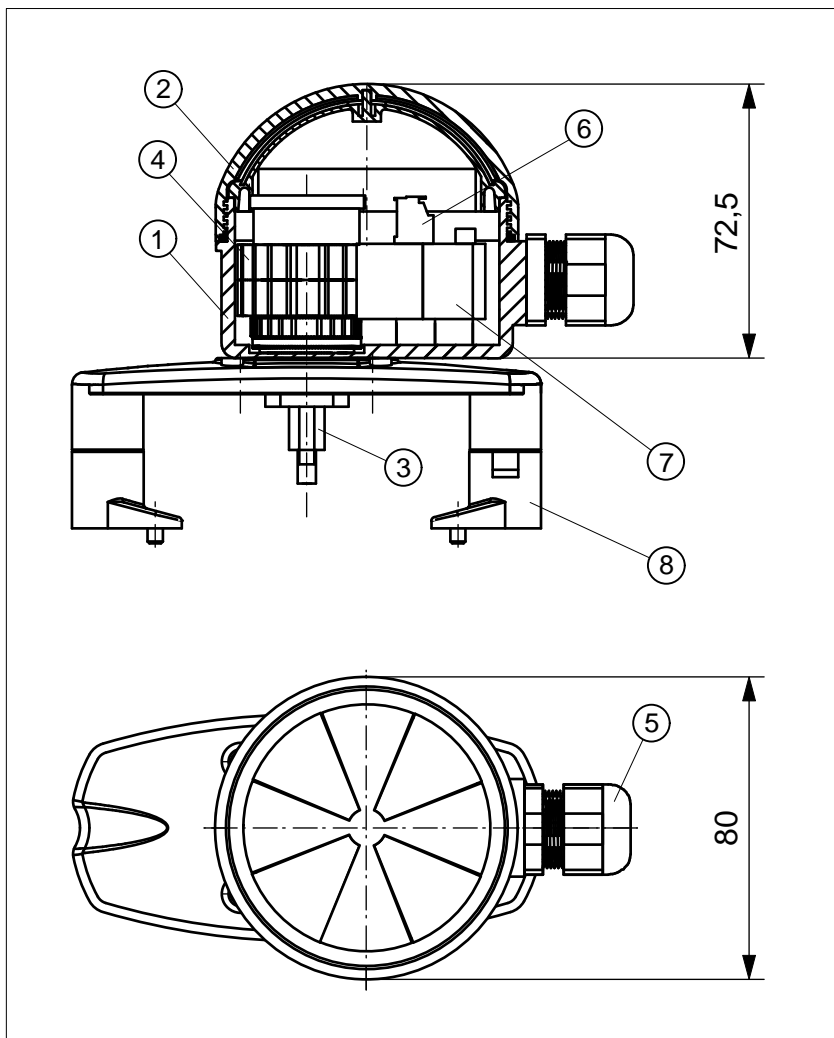




PPFF25NPSVAZ

PB-Module with one double sensor Pepperl + Fuchs NCN3-F25F-N4-P in Vestamid-Housing ø80 x 97 mm, with high vision beacon



TECHNICAL DATA

Manufacturer: Pepperl+Fuchs
 Type: NCN3-F25F-N4-P
 Double sensor, NAMUR
 Normally closed contact

Nominal voltage: 8 V DC
 Output: short-circuit protection,
 reverse-polarity protection

Current consumpt. ≥ 3 mA, inactive
 ≤ 1 mA, active

Temperature: -25 ... +85°C
 Ingress protection: IP 67 (Sensor)
 IP 65 (Housing)

Switching precision: $< 0,5^\circ$
 Housing base: Vestamid, black
 Housing cover: Macrolon, clear
 with high vision beacon

Sealing: EPDM
 System connection: Cable gland M20x1,5



EC-Type Examination Certificate No. TÜV 99 ATEX 1479 X

OBJECT LIST

Pos.	Pcs.	Description	Material
1	1	Housing base	Vestamid
2	1	Housing cover	Macrolon
3	1	TCR-Axis	POM
4	1	Switch cam system	POM A2
5	1	O-ring sealing	EPDM
6	1	Terminal block, 4-pole	-
7	1	Double sensor NAMUR	-
8	1	Bracket size 1-4	A2 oder PA

WIRING DIAGRAM

