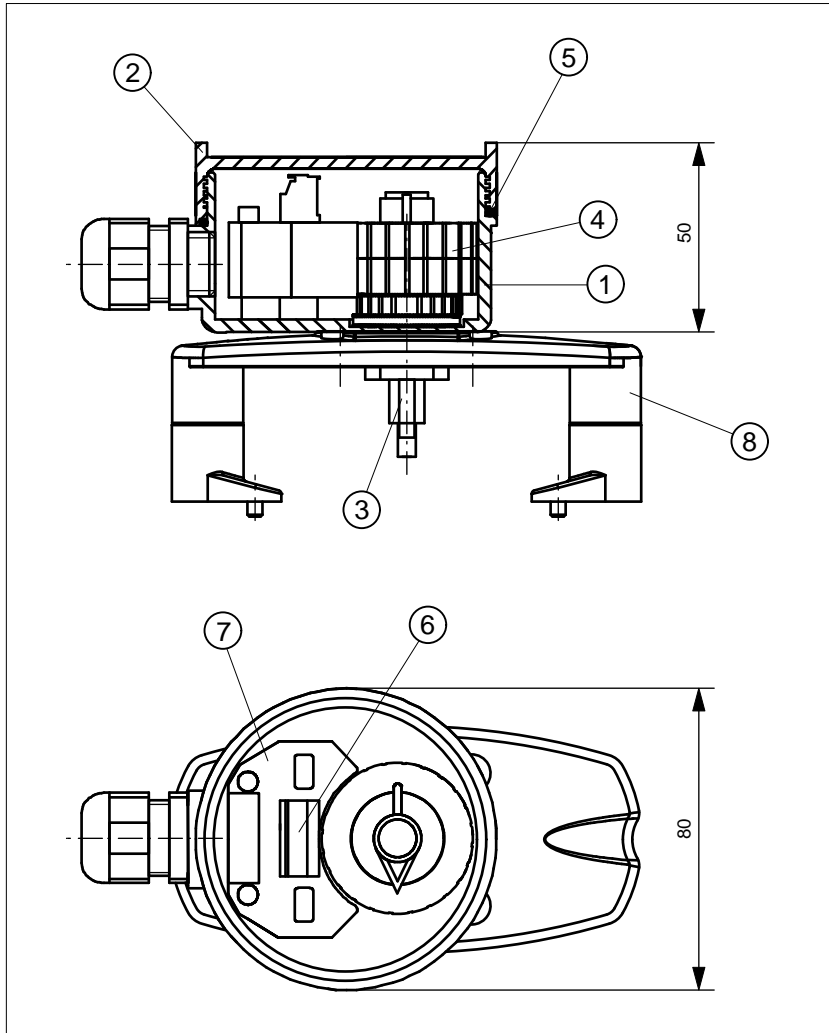




# PPFF25NPVVAZ

PB-Module with one double sensor Pepperl + Fuchs NCN3-F25F-N4-P  
in Vestamid-Housing ø80 x 97 mm



## TECHNISCHE DATEN

Manufacturer: Pepperl+Fuchs  
 Type: NCN3-F25F-N4-P  
 Double sensor, NAMUR  
 Normally closed contact

Nominal voltage: 8 V DC  
 Current consumpt.:  $\geq 3$  mA, inactive  
 $\leq 1$  mA, active

Output: short-circuit protection,  
 reverse-polarity protection

Temperature:  $-25 \dots +85^\circ\text{C}$   
 Ingress protection: IP 67 (Sensor)  
 IP 65 (Housing)

Switching precision:  $< 0,5^\circ$   
 Housing base: Vestamid, black  
 Housing cover: Vestamid, black  
 Sealing: EPDM  
 System connection: Cable gland M20x1,5



II 2G Ex ia IIC T6

EC-Type Examination Certificate No.  
TÜV 99 ATEX 1479 X

## OBJECT LIST

Pos.	Pcs.	Description	Material
1	1	Housing base	Vestamid
2	1	Housing cover	Vestamid
3	1	TCR-Axis	POM
4	1	Switch cam system	POM A2
5	1	O-ring sealing	EPDM
6	1	Terminal block, 4-pole	-
7	1	Double sensor NAMUR	-
8	1	Bracket size 1-4	A2 oder PA

## WIRING DIAGRAM

