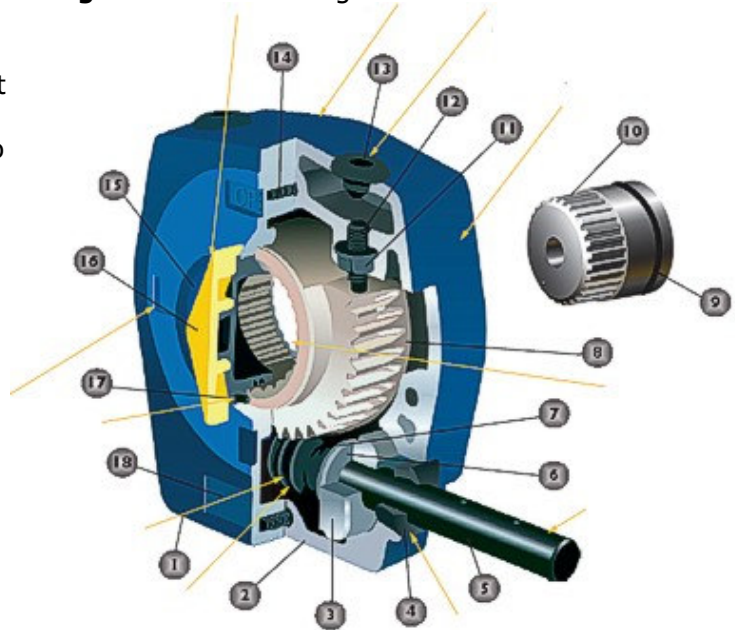


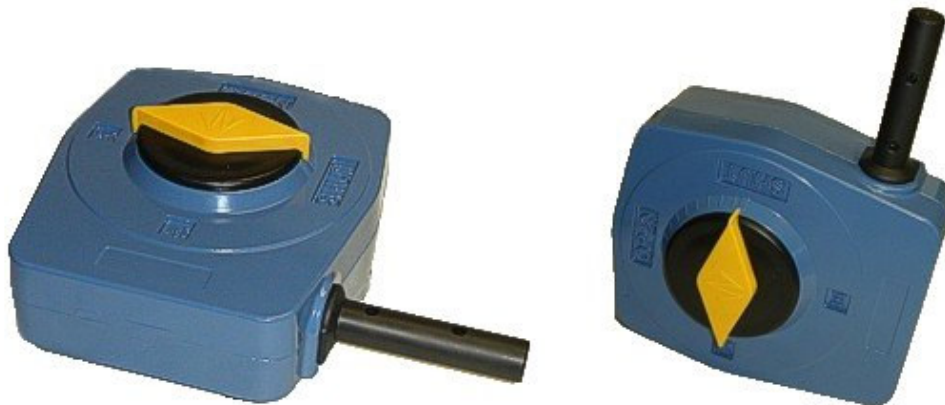
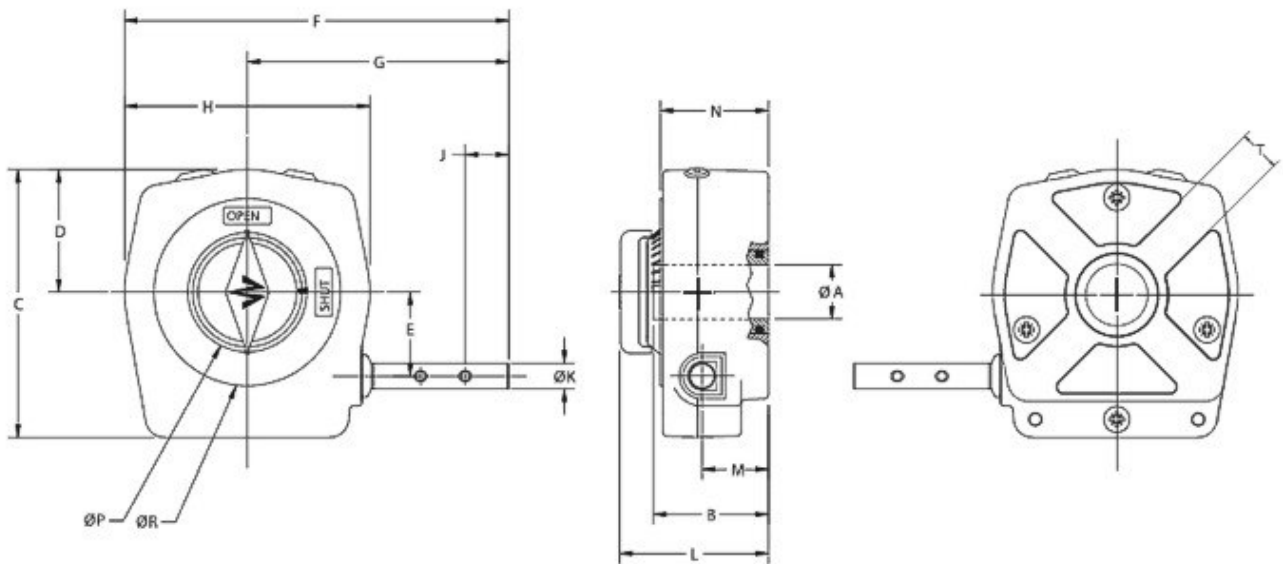
Aluminium construction and rugged design of the **Mastergear 9800** series range of manual valve actuators guarantees it has been engineered to meet the arduous requirements demanded of industrial environments. Through corrosion resistant treatment of the input shaft and the use of lip seals with multiple sealing surfaces, the 9800 range is sealed to IP67 and achieves exceptional durability. All models use high performance axial needle roller bearings, which combined with a one-piece input wormshaft, maximizes the available mechanical advantage and overall unit efficiency.

Features & General Specification:

- Aluminium Enclosure
- Sealed to IP67
- Optional Stainell Steel Padlock Flange
- Interchangeable output drive bushings
- Self Locking/High Efficiency Gears
- High Mechanical Advantage
- 90°C +/- 5°C (Adjustable) Travel
- To 10560 in-lbs Output Torque
- High Mechanical Advantage
- 3 Frames Sizes
- 50% Grease Filled for Life
- -40°C to +176°C Temperature Range for Continuous Operation
- Varsatility for Direct Mounting to Valve



Item	Component	Material Description	Material Specification
1	upper	Aluminium	380 Alloy
2	lower	Aluminium	380 Alloy
3	Wormshaft Bearing	Sintered Iron-Copper	FCO200-18
4	Oil Seal	Injection Molded PLastic	Hytrel 4556
5	Wormshaft	Nitempered Steel	ALSI 4110 hardened
6	Bearing Thrust Washer	Needle Thrust Washer	Type AS
7	Thrust Bearing	Needle Thrust Bearing	TYPE AXK
8	Quadrant	Sintered Copper Steel	FCO205-50
9	Lower „o“ ring	Molded Rubber	Nitrile
10	Drive Bushing	Sintered Copper Steel	FCO205-40
11	Flange Nut	Flange Hex Nut	High tensile steel
12	Stop Screw	Socket Set Screw	High tensile steel
13	Stop Screw Plug	Molded Rubber	Nitrile
14	Fixing Screw	Torx Head, Taptite	Hardened Alloy Steel
15	Indicator Cap	Injection Molded PLastic	Low Density Polyethylene
16	Indicator Flag	Injection Molded PLastic	Low Density Polyethylene
17	Upper „o“ ring	Molded Rubber	Nitrile
18	Nameplate	Self-Adhesive Aluminium	Grey on Bright BAckground



Actuator type	9801	9804	9807
Max. Output Torque (2000 cycles)	226	550	1000
-- (1000 cycles)	271	600	1200
Max. Input Torque (2000 cycles)	21	45	88
-- (1000 cycles)	25	55	88
Mechanical Advantage	11	11	11,3
Ratio	40:1	40:1	42:1
Turns To Close	10	10	10,5
Valve Mounting Flange	F05, F07, F10	F07, F10, F12	F10, F12, F14, F16
A Max Valve Stem Diameter (mm)	24,9	30,5	45
B Max Valve Stem Height (mm)	54,8	59,6	70,7
C	119,7	147,9	188,7
D	38,5	52	66,7
E	56,2	65,1	81,8
F	176,3	200,2	249,8
G	120,0	135,1	168,0
H	112,6	130,2	163,5
J	20,0	25,0	32,0
K	15,0	15,0	20,0
L	66,6	72,5	87
M	26,4	29,8	37,7
N	50,5	51,4	66,3
P	54,6	69,7	94,7
R	85,8	111,8	148,9
T	19,1	21,8	25,4
Unit Weight [kg]	1,5	2.3	4.85
Recommended Handwheel (2000 cycles)	SR8	SR8	SR10
Recommended Handwheel (2000 cycles)	SR10	R14	R24