

Contact Free Operated Signal Device Proxi-Box Ex i -Doublesensor with plug or cable

The PB-module with double proximity sensor converts the mechanical end or middle positions of the actuator into electrical signals. The sensors are available with M12-plug and cable. The 2-wire sensors is commonly used in the chemical industry and generally in applications with explosion protection.

The double sensor is intrinsically safe because of the low potential. There is no need of an additional explosion protection installation.

The end positions can be adjusted over a range from 0° to 360°. It is possible to connect the sensor damped or undamped. The fully adjustable serrated cams are locked together to ensure that the adjusted setting is secured against any vibration.



ADVANTAGES

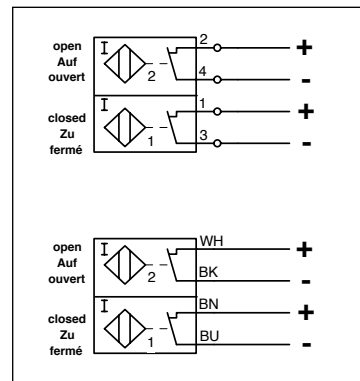
- very compact design
- various connection possibilities
- switching points adjustable over a range from 0° to 360°.

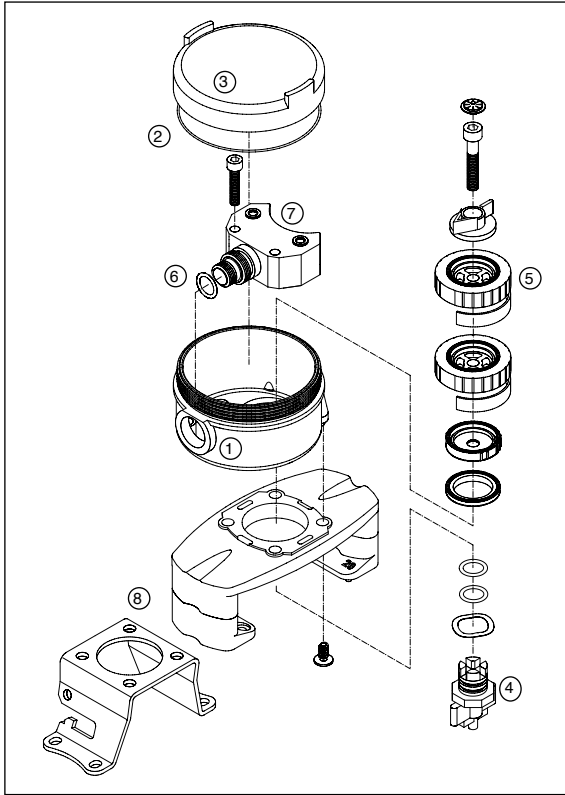
TECHNICAL DATA

Manufacturer:	Pepperl + Fuchs	Pepperl + Fuchs
Type:	NCN3-F25F-N4	NCN3-F25F-N4-V1
Doublesensor	NC	NAMUR (DI 19 234)
Connection:	Cable 5 m	M12-plug
nom. voltage:	8 V DC	
Output:	short-circuit proof undamped ≥ 3 mA, damped ≤ 1 mA	
Temperature:	-25 ... +85 °C	
Base:	Vestamid black	
Cover:	Makrolon clear, Vestamid black or high vision beacon	
Sealing:	EPDM, NBR or Silicon	
Ingress protection:	IP 67 for sensor, acc. IEC 529 / DIN 40 050 IP 65 for housing	
Switching precision:	$\leq 0,5^\circ$	



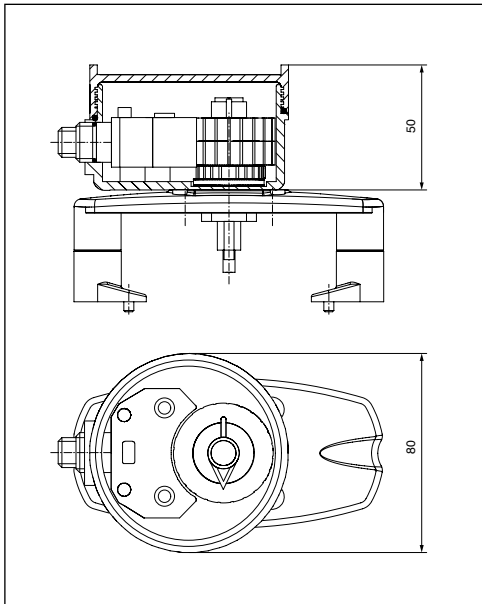
WIRING DIAGRAM 2-wire, NAMUR





Pos.	Pcs.	Description	Material
1	1	Housing (base)	Vestamid
2	1	O-ring sealing	optional
3	1	Housing (cover)	optional
4	1	TCR-axis	POM
5	1	Switch cam system	POM, A2
6	1	O-ring sealing	---
7	1	Double sensor, NAMUR	---
8	1	Bracket, size 1-4	A2 or PA

Brackets chapter A5



Ordering information

PB-Modul with double sensor (without bracket)

