

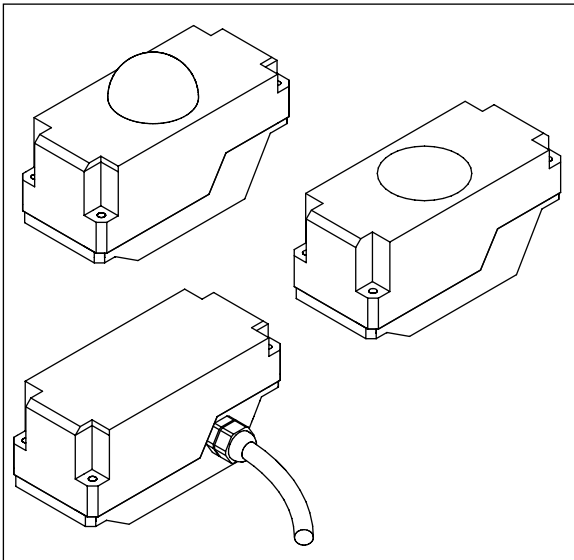
# Signal Devices With Housing

## General information:

Signal devices are used to report and control the valves position. Switches and sensors with different technical specifications are mounted into boxes. Depending on the construction even use in explosion proof areas is suitable.

Different models and materials are available for the housing.

## Signal Devices TCR – class



- Switches:
- Microswitches
  - Microswitches EEX d IIC T6
  - Zylindrical sensors
  - Double sensors
  - Slotted sensors
  - Intrinsically safe sensors

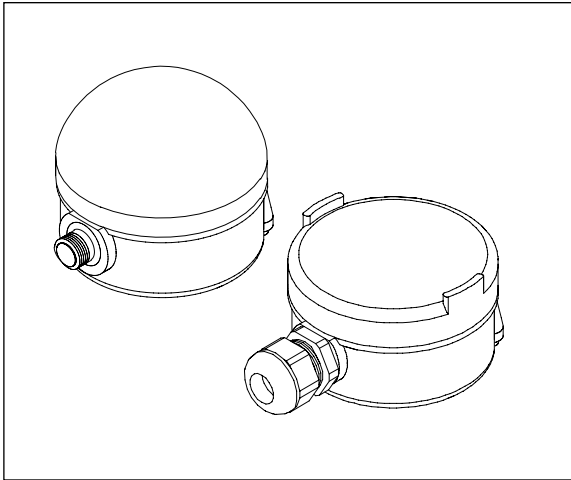
Housing material:

- Cover:
- Macrolon clear
  - Vestamid black
  - Aluminium

- Basel:
- Vestamid black

- Optionen:
- Sichtkuppel
  - Sichtfenster
  - Magnetventilanschluss

## Signal Devices PB – class



Switch:           - Microswitch  
                       - Double sensor  
                       - Intrinsically safe sensors

Housing material:

Cover:           - Macrolon clear  
                       - Vestamid black

Base:             - Vestamid black

Options:          - High vision beacon  
                       - Screwcap  
                       - aeration and deaeration

## Signal Devices ET – class

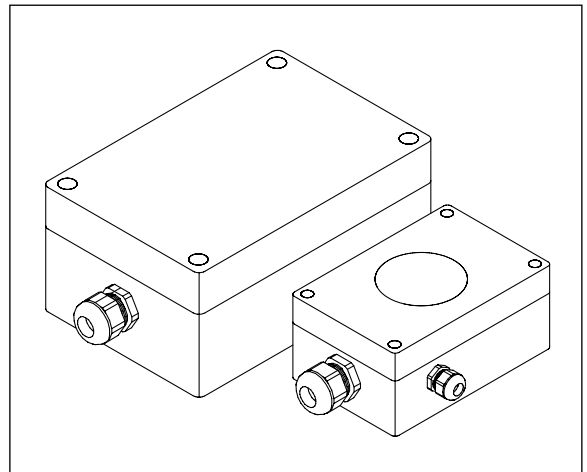
Switches:        - All types

Housing material:

- Macrolon  
 - Vestamid black  
 - Aluminium  
 - Stainless steel

Options:

- Control window  
 - Solenoid connection  
 - Diverse box sizes



## Signal Devices TCR – class

The TCR-series is designed in close co-operation with the experience and the needs of the users. As a result this exceptional design has a number of outstanding technical features that offer many advantages compared to well-known technology.

Great effort was expended in the compact construction, nevertheless there is enough space to mount 4 mechanical switches, 4 slotted proximity switches or 2 proximity sensors (max. M18 x 65mm)

### TCR-HOUSING



The consideration of the VDI/VDE 3845 interface in the body is unique. All switching components for open construction (for example the UNI-sandwich system) can be used with the housing.

The base provides the possibility to mount a brass filter element to have the same pressure inside and outside the housing. Therefore water condensation is almost impossible.

Another remarkable advantage of the TCR-series is that the cable gland is placed below the base, where it is protected against impacts. In addition water cannot penetrate through the cable gland as it is always covered by the housing or the actuator.

The easy accessible position of the terminals offers the easiest and quickest wiring when bringing the modul into operation.

Integrated into the base is now the possibility to directly connect a solenoid valve. This enables the user to control the actuator and poll the end positions using only one cable.

The cover serves as a protection for the enclosed switching devices and has to resist the surrounding conditions. To fulfill all application requirements TCR- covers can be manufactured out of different materials.



For operation in factories the transparent macrolon cover is very suitable, especially on service duty.

For outdoor areas with high static loads the black vestamid cover is highly suitable. This cover is resistant against higher temperatures and ultra-violet lights and has a extremely low electrical resistance.

## High vision beacon

Every box of the TCR-series can be upgraded with a high vision beacon. This allows visual control of the valve position from almost every direction. Available in various color combinations.

