

## Contact Free Operated Signal Device ET-Housing

### 3-Wire-Contact Free Sensor

The ET-module with 3-wire proximity sensor converts the mechanical end or middle positions of the actuator into electrical signals.

In many european countries the proximity signal device is used for NON-Ex applications.

It is extra secure in its switching performance, because it possesses a negligible residual current at blocked state, and a minimal potential drop at switched state.

The coupling of the modul balances possible bumps of the bracket and guarantees a full transmission at the the actuators shaft.



#### ADVANTAGES

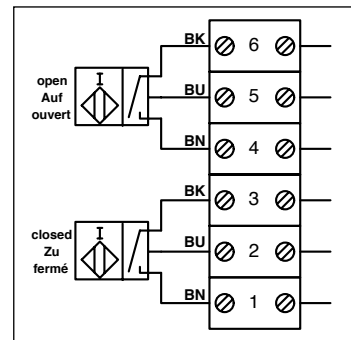
- easy and precise adjusting of the end positions
- secure control through a stainless steel flag
- symmetrical design, easy to mount

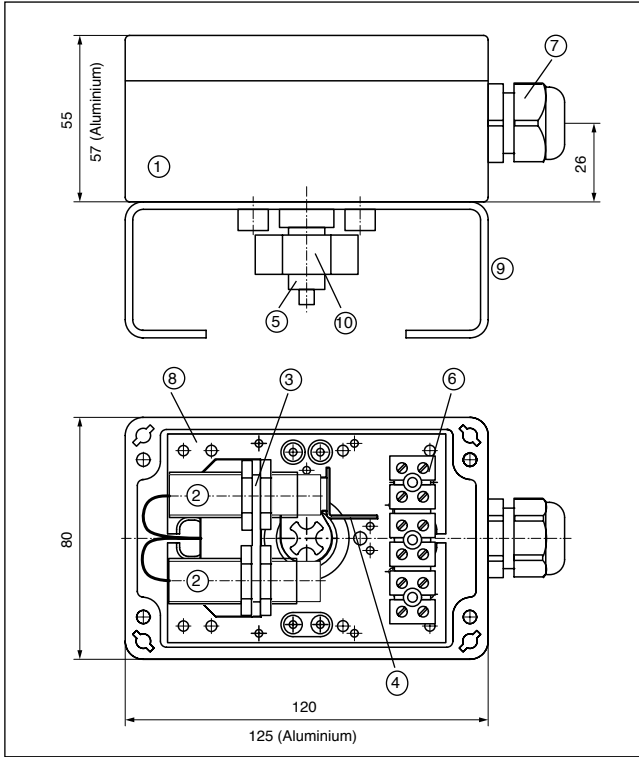
#### TECHNICAL DATA

Manufacturer:	<b>Pepperl + Fuchs</b>
Type:	<b>NBN 4-12GM50-E2</b> induktiv, NO, DC PNP 4 mm
Switch distance:	4 mm
Nom. voltage:	10 - 30 V DC
Continous current:	200 mA
Open circuit current:	≤ 15 mA
Output:	short circuit proof, reverse polarity prot. undamped ≤ 0,3 V, damped ≥ $U_S - 3 V$
Display:	LED, yellow
Temperature range:	-25 ... +70 °C
Housing:	Makrolon, grey with clear cover ( Polycarbonat ) Vestamid, black (shock-proof Polyamid 6.6) alternative with window material Polycarbonat Aluminium, industry grey ( GD AL SI 12 ) Silicon (alternative Neoprene)
Sealing:	IP 67 for sensor, IP 65 for housing
Ingress protection:	acc. IEC 529 / DIN 40 050
Switching precision of unit:	≤ 0,5°
Connection:	M20 x 1,5



#### WIRING DIAGRAM





Pos.	Pcs.	Description	Material
1	1	Housing	optional
2	2	Proximity sensor	-
3	1	Mounting flag	Alu
4	1	Switch flag	A2
5	1	Axis NJ	A2
6	1	Terminal block, 6 poles	-
7	1	Cable gland	-
8	1	Mounting plate	PA 6
9	1	Bracket, size 1-4	A2 or PA
10	1	Position indicator	PE

Brackets chapter A5

Basically it is possible to mount proximity sensors from different manufacturers into the ET-box. The max. mounting size of the sensor for the standard box is M18 x 50mm (without cable entry). Special sizes upon request.

## Ordering information

ET-Modul with proximity sensor (without bracket)

<b>PF</b>	<b>N412E</b>	<b>V</b>	<b>AZ</b>	
				Display :    A = Open Z = Closed
				Body material    M = Makrolon A = Aluminium V = Vestamid VF = Vestamid with window
				Type :    NBN4-12GM50-E2
				Make :    Pepperl + Fuchs